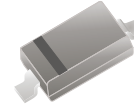


## A1SS355-HF

RoHS Device

Halogen Free



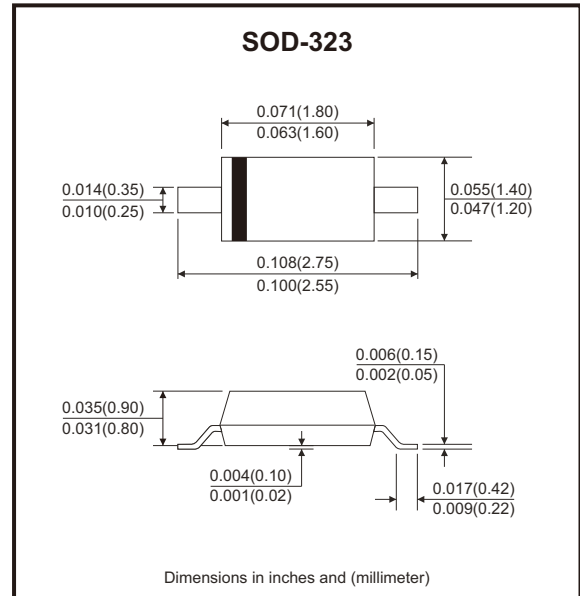
### Features

- Small surface mounting type.
- High speed switching.
- High reliability.
- AEC-Q101 Qualified.

### Mechanical data

- Case: Molded plastic, SOD-323.
- Polarity: Color band denotes cathode end.

### Circuit Diagram



### Maximum Rating (at Ta=25°C unless otherwise noted)

Parameter	Symbol	Value	Unit
Non-repetitive peak reverse voltage	$V_{RM}$	90	V
DC reverse voltage	$V_R$	80	V
Average rectified output current	$I_o$	100	mA
Surge current (1s)	$I_{surge}$	500	mA
Power dissipation	$P_D$	200	mW
Junction temperature range	$T_J$	-55 to +150	°C
Storage temperature range	$T_{STG}$	-55 to +150	°C

### Electrical Characteristics (at Ta=25°C unless otherwise noted)

Parameter	Symbol	Conditions	Min	Typ	Max	Unit
Forward voltage	$V_F$	$I_F = 100mA$			1.2	V
Reverse current	$I_R$	$V_R = 80V$			0.1	μA
Capacitance between terminals	$C_T$	$V_R = 0.5V, f = 1MHz$			3	pF
Reverse recovery time	$t_{rr}$	$I_F = 10mA, V_R = 6V, R_L = 100\Omega$			4	nS

Company reserves the right to improve product design, functions and reliability without notice.

REV:A

## Rating and Characteristic Curves (A1SS355-HF)

Fig.1 -  $V_F$  —  $I_F$  Characteristics

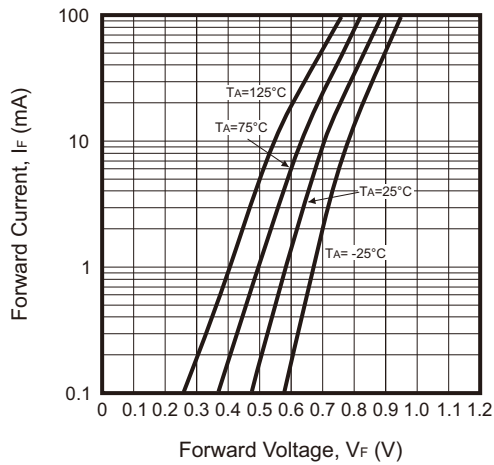


Fig.2 -  $V_R$  —  $I_R$  Characteristics

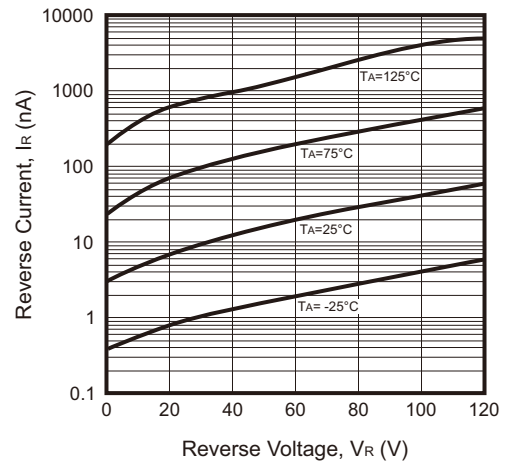
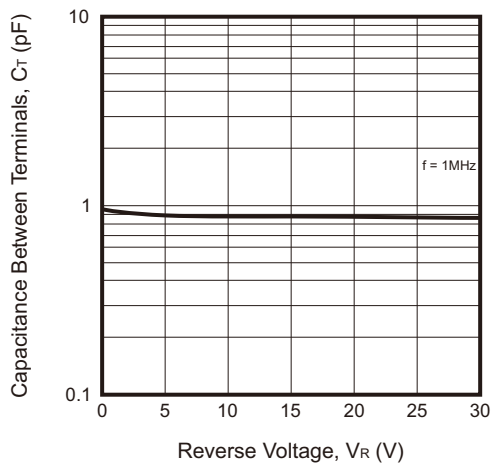
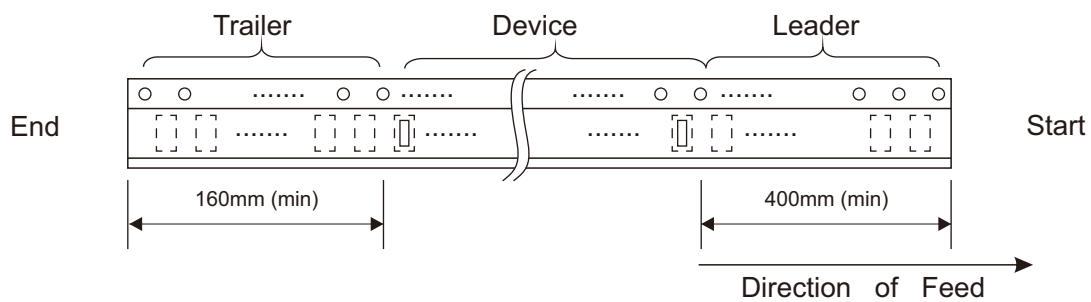
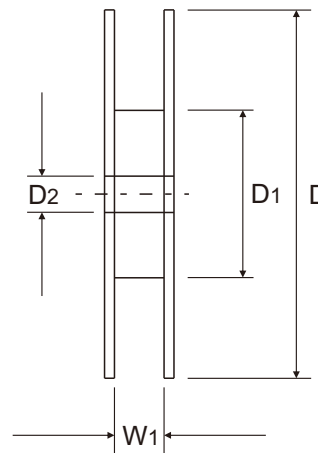
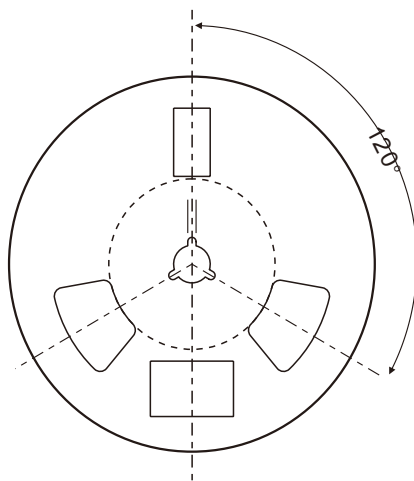
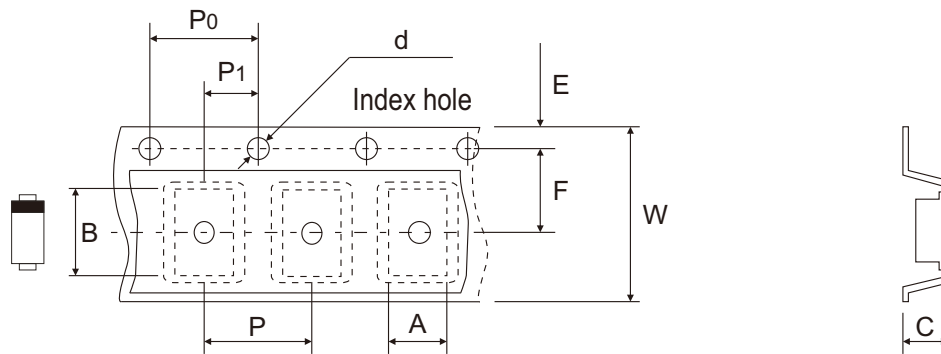


Fig.3 -  $V_R$  —  $C_T$  Characteristics



## Reel Taping Specification



	SYMBOL	A	B	C	d	D	D1	D2
SOD-323	(mm)	1.46 ± 0.05	3.30 ± 0.05	1.25 ± 0.05	1.50 + 0.10	178.00 ± 1.00	54.00 ± 0.50	13.00 ± 0.50
	(inch)	0.057 ± 0.002	0.130 ± 0.002	0.049 ± 0.002	0.059 + 0.004	7.008 ± 0.039	2.126 ± 0.020	0.512 ± 0.020

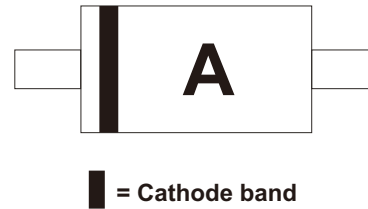
	SYMBOL	E	F	P	P0	P1	W	W1
SOD-323	(mm)	1.75 ± 0.10	3.50 ± 0.05	4.00 ± 0.10	4.00 ± 0.10	2.00 ± 0.05	8.00 + 0.30 - 0.10	9.50 ± 1.00
	(inch)	0.069 ± 0.004	0.138 ± 0.002	0.157 ± 0.004	0.157 ± 0.004	0.079 ± 0.002	0.315 + 0.012 - 0.004	0.374 ± 0.039

Company reserves the right to improve product design, functions and reliability without notice.

REV:A

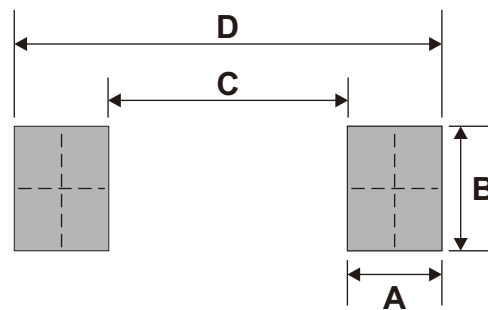
## Marking Code

Part Number	Marking Code
A1SS355-HF	A



## Suggested P.C.B. PAD Layout

SIZE	SOD-323	
	(mm)	(inch)
A	0.63	0.025
B	0.83	0.033
C	1.60	0.063
D	2.85	0.112



Note: 1. The pad layout is for reference purposes only.

## Standard Packaging

Case Type	REEL PACK	
	REEL (pcs)	Reel Size (inch)
SOD-323	3,000	7